

Shenzhen Boatman Technology Co.,Ltd

Add: NO.4-6 Longxi Road, NanLian street, LongGang District,Shenzhen City, GuangDong Province,China

ACTOR Basic



ACTOR-GPS



ACTOR-sonar



ACTOR Pro



Actor Data sheet

Hull Size	506*267*188mm
Material	Engineer plastic ABS
Package	1pc per kraft box (Box size:56*30*26cm, 2.85kgs per box) 4pcs per master carton (62*58*54cm, 13kgs per carton)
Hopper Quantity	2
Bait hopper capacity	1.5KG
Control Range	500M
Turning Radius	±1M
Frequency	2.4GHz
Sailing speed	70m/Min
Releasing bait/hook	After reaching the destination, open manually
Wave Resistance	3-4 Class
Front and Back Lamp	<p>✓ Front Lamp: 1PC white LED lamp. (Used for night fishing, with ON/OFF button control.)</p> <p>✓ Back Lamp: 2pcs red LED lamp. (Open hopper indication, Turn indication)</p>
Power Specification	
Boat battery	<p>✓ 1x 7.4V5000Mah / 10000Mah</p> <p>Continuous use time: 2.5hours(5000Mah) / 5hours(10000Mah)</p> <p>Charging time: 5hours for 5000Mah, 10hours for 10000Mah</p>
Controller Battery	<p>✓ 1x3.7V800Mah Li-ion battery</p> <p>usage time: 4hours</p> <p>Charging time: 1.5hours</p>

Features

1. Auto drive function to make it go forward without having to keep your figure pressing the controller.
2. 2 hoppers can work independently.
3. Auto pair remote controller to boat, Nothing need to do when customer receive the boat.
4. Quick speed & meet the needs of all anglers for basic boats. Well worth the money.
5. Easy upgrade & easy for maintenance.

Operation Introduction



✓ Joystick

Function A :Used to control the direction of the boat

Function B: Push joystick up for 5 seconds,Remote will “beep”, Boat enter **into 1 minute auto-sailing** working mode. Push joystick down or press any button to stop it.

- ✓ **Open middle hopper**- Press the button once to open middle hopper, **rear light** will have **2 times flashing**.
- ✓ **Right Open Hopper**-Press the button once to **open** rear hopper, **rear light** will have **4 times flashing**.
- ✓ **High/Low speed switch**-Press the button once,Change sailing speed from High to Low / Low to High.70m/mins for high speed, 60m/mins for low speed.
- ✓ **Correct Route**--Used to correct route when boat cannot sailing in straight.
- ✓ **Night Lamp Switch**

Function A: Front lamp ON/OFF button. Press once to turn on/off front lamp.

Function B: Resync remote to boat. Keep press the button till remote “BEEP”, next step, turn on boat and waiting for automatically resync within 5-10 seconds.

✓ Power Switch

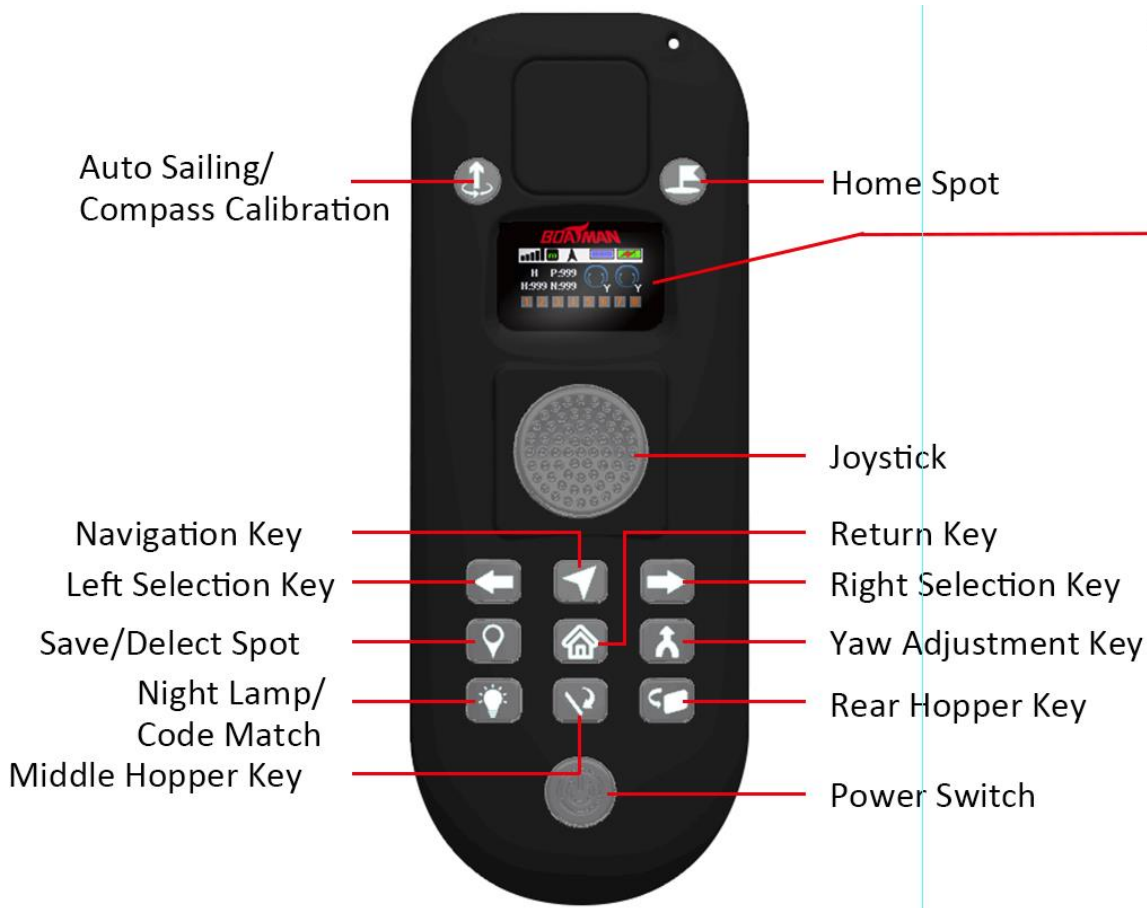
Function A: Long press the button for 5 seconds to turn on remote.

Function B:Check the remaining remote battery. Press the button once, the remote control will emit "BEEP" 4 times when it is full.

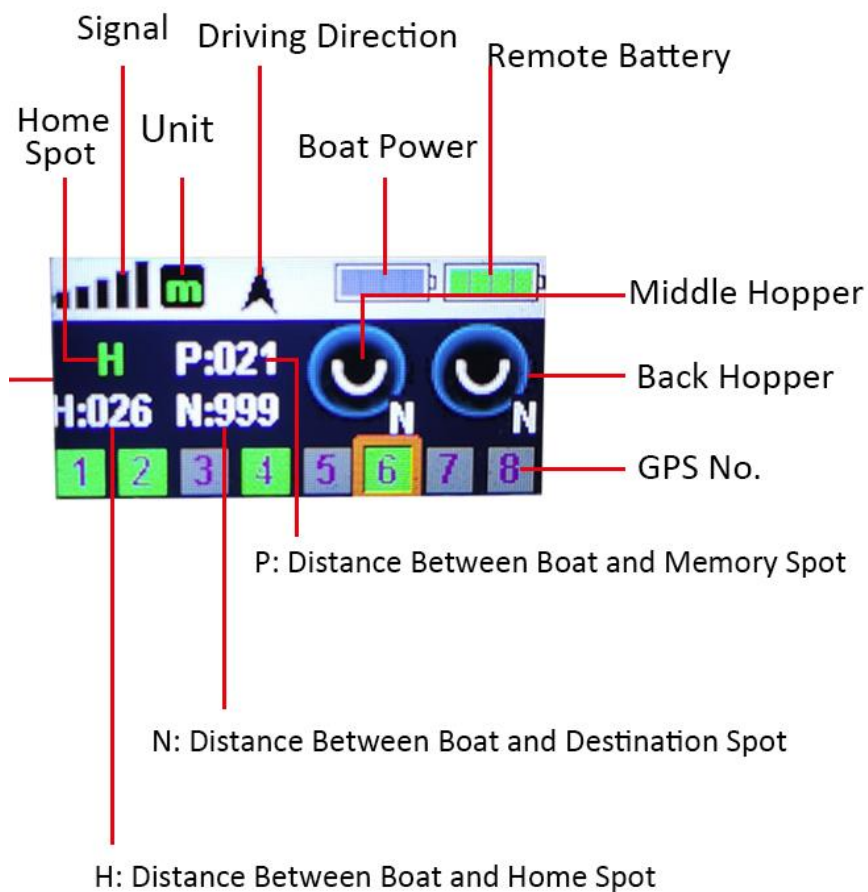
Actor-GPS Data sheet

Hull Size	506*267*188mm
Hopper Quantity/Capacity	2 Hoppers (1kg for middle hopper & 0.5kg for rear hopper)
Control Range	500M
Positioning accuracy	Within 2 meter
GPS Point	17 point (1 for home point & 16pcs for destination point)
Frequency	2.4GHz
Sailing speed	70m/Min
Anti-Wave	3-4 Class Wave
Front and Back Lamp	<p>✓ Front Lamp: 1PC white LED lamp. (Used for night fishing, with ON/OFF button control.)</p> <p>✓ Back Lamp: 2pcs red LED lamp. (Open hopper indication, Turn indication)</p>
Power Specification	
Boat battery	<p>✓ 1x 7.4V5000Mah / 10000Mah</p> <p>Continuous use time: 2.5hours(5000Mah) / 5hours(10000Mah)</p> <p>Charging time: 5hours for 5000Mah, 10hours for 10000Mah</p>
Controller Battery	<p>✓ 1x3.7V 2000Mah Li-ion battery</p> <p>usage time: 8hours</p> <p>Charging time: 3 hours</p>
Features	
<ol style="list-style-type: none"> 1. One key 1 minute auto sailing function free your hand. 2. Home point save alarm reminder, You will never forget to save it. 3. Anti-lost protection (When boat loses signal for 35seconds, the boat will auto return to home point.) 4. Specific one-key auto return button. (Press the button once and boat will return to home wherever the boat is.) 5. Intelligent auto-navigation function. (Boat will automatically execute your previous command when go to the same destination point again.) 6. Different flashing lights will show the condition of the boat. 7. Handy remote with hand string, easy for operation (Every button pointed one function) 8. Controller is charged via USB so can be charged backside 	

Remote Controller Introduction



Display Screen Introduction



Operation Introduction



Two functions

A. Compass calibration (Press button for 3 seconds, Boat will auto sailing in circle and auto stop when finished.)

B. Auto-Sailing (Press the button once, Boat will auto drive for one minute. Press any button to stop it.)



-----Home point save. (Long press to save home point. "H" icon turns green, home point saved successfully).



-----Selection Button : Move left to select GPS point



----- Selection Button: Move right to select GPS point.



-----Navigation Button



-----Destination point save & delete. (Press once to save destination point .The selected number turns green) & long press to delete saved point (The selected number turns gray) .



Two Functions

A. : Auto return button. (Press the button once, boat will auto return to home point. "H" icon turns to red.)

B. Unit Switch. (Long press button for 3 seconds to switch units, FT to M / M to FT)



-----Used to correct that the boat cannot sailing in straight.



-----Front lamp ON/OFF button.



----- Press once to open middle hopper, back light will flashing 2 times.



-----Press once to open back hopper, back light will flashing 4 times.

Actor-Sonar 1 Data sheet

Hull Size	506*267*188mm
Material	Engineer plastic ABS
Package	1pc per kraft box (Box size:56*30*26cm, 2.85kgs per box) 4pcs per master carton (62*58*54cm, 13kgs per carton)
Hopper Quantity / Capacity	2 Hoppers (1kg for middle hopper & 0.5kg for rear hopper)
Control Range	500M
Frequency	2.4GHz
Sailing speed	70m/Min
Sonar Specification	
Screen Size	3.5inchese Full color Screen
Sonar Working range	Within 300meter
Detect Parameter	✓ Detect depth:0.6-20meter ✓ Detect Angle: 100° ✓ Detect Accuracy: 0.1 meter ✓ Detect water temperature
Fish Display	✓ 2 Fish size Small one: 10-40cm, Big one: >40cm
Power Specification	
Boat battery	✓ 1x 7.4V5000Mah / 10000Mah Continuous use time: 2.5hours(5000Mah) / 5hours(10000Mah) Charging time: 5hours for 5000Mah, 10hours for 10000Mah
Controller Battery	✓ 1x3.7V800Mah Li-ion battery usage time: 4hours Charging time: 1.5hours
Screen Battery	✓ 1x3.7V1000Mah Li-ion Battery Usage time: 5Hours Charging time: 2Hours
Features	
<ol style="list-style-type: none">1. Sonar offers real time information about the lake bottom.2. It helps mapping a lake for its features and depth.3. Colorful screen gives better distinguish of underwater terrains.	



Code Match:

Unit Switch: Press the button once to switch units. FT to M / M to FT.

Power Switch: Long press the button for 3 seconds to turn on screen.

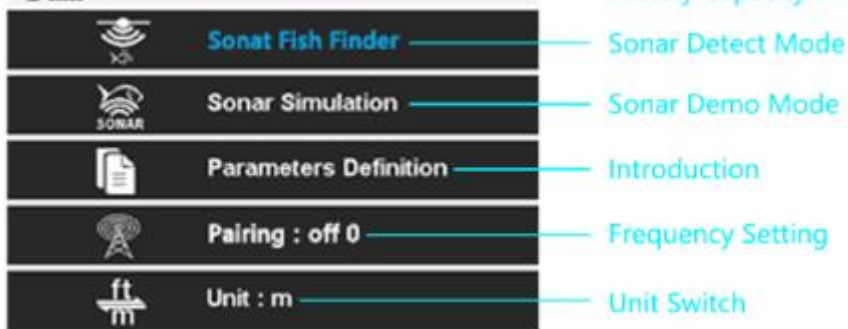
Actor-Sonar 2 Data sheet

Hull Size	506*267*188mm
Material	Engineer plastic ABS
Package	1pc per kraft box (Box size:56*30*26cm, 3 kgs per box) 4pcs per master carton (62*58*54cm, 14 kgs per carton)
Hopper Quantity / Capacity	2 Hoppers (1kg for middle hopper & 0.5kg for rear hopper)
Control Range	500M
Frequency	2.4GHz
Sailing speed	70m/Min
Sonar Specification	
Screen Size	3.5inchese Full color Screen
Sonar Working range	Within 300meter
Detect Parameter	<ul style="list-style-type: none"> ✓ Detect depth:0.6-30meter ✓ Detect Angle: 100° ✓ Detect Accuracy: 0.1 meter ✓ Detect water temperature ✓ Detect atmospheric pressure
Fish Display	<ul style="list-style-type: none"> ✓ 3 Fish size Small one: <40cm, Middle one :40-80cm, Big one : >80cm
Power Specification	
Boat battery	<ul style="list-style-type: none"> ✓ 1x 7.4V5000Mah / 10000Mah Continuous use time: 2.5hours(5000Mah) / 5hours(10000Mah) Charging time: 5hours for 5000Mah, 10hours for 10000Mah
Controller Battery	<ul style="list-style-type: none"> ✓ 1x3.7V800Mah Li-ion battery usage time: 4hours Charging time: 1.5hours
Screen Battery	<ul style="list-style-type: none"> ✓ 1x3.7V1000Mah Li-ion Battery Usage time: 5Hours Charging time: 2Hours
Features	
<ol style="list-style-type: none"> 1. Sonar offers real time information about the lake bottom. 2. It helps mapping a lake for its features and depth. 3. Colorful screen gives better distinguish of underwater terrains. 	



Two functions

A. :Menu Key, press once to enter into sonar menu. See below photos.



B. Confirm Key, Press again to confirm your selection.



-----Selection Key



-----Power button, Long press for 3 seconds to turn on screen.